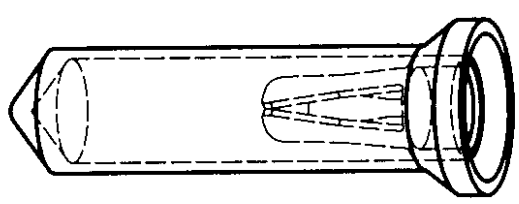
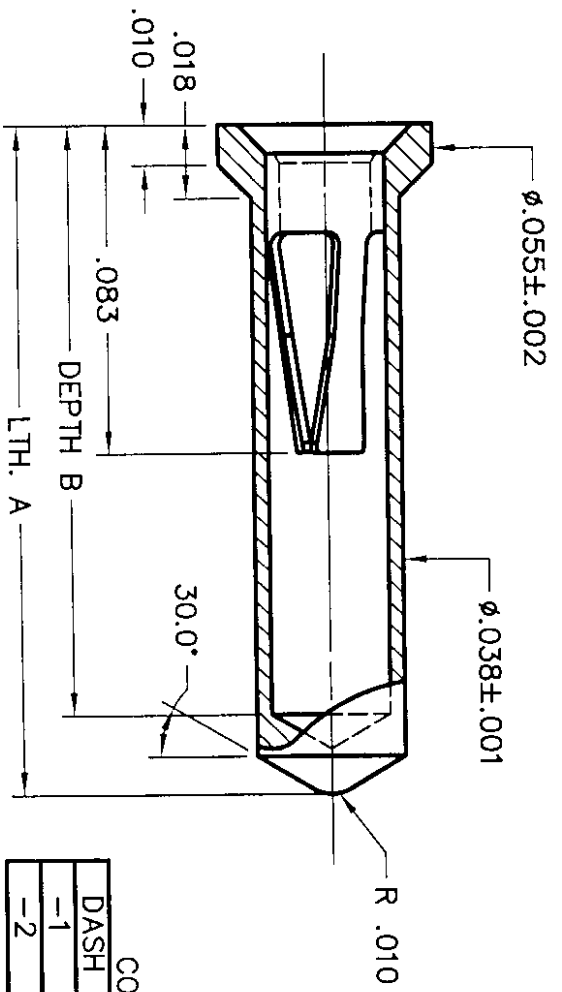


REV.	DESCRIPTION	DATE	INT.
1	ENG. DWG.	8/16/02	D.W.



CONFIGURATION CHART

DASH NO.	LTH. A	DEPTH B
-1	.136	.120
-2	.170	.150

- NOTES:
1. MATERIALS: SHELL - BRASS ALLOY TYPE 360, 1/2 HD., PER QQ-B-626. CONTACT - BERYLLIUM COPPER ALLOY TYPE 172, HT, PER QQ-C-533
 2. APPLICABLE PLATING SPECIFICATIONS: GOLD - MIL-G-45204, NICKEL - QQ-N-290, 93/7 BRIGHT TIN LEAD - MIL-P-81728.
 3. AVAILABLE CONTACT - #30

4. ORDER CODE: 4004-X-01-30-12
- DASH NO. (LTH CODE)
- BASIC PART NO. 4004-X
- SHELL PLATING
- 01- 200 u" TIN OVER 100 u" NICKEL
 - 02- 10 u" GOLD OVER 100 u" NICKEL
 - 03- 30 u" GOLD OVER 100 u" NICKEL
 - 04- 50 u" GOLD OVER 100 u" NICKEL
- CONTACT
- 01
 - 30
 - 12
- CONTACT PLATING
- 11- 150 u" TIN OVER 50 u" NICKEL
 - 12- 10 u" GOLD OVER 50 u" NICKEL
 - 13- 30 u" GOLD OVER 50 u" NICKEL
 - 14- 50 u" GOLD OVER 50 u" NICKEL

UNLESS NOTED OTHERWISE: TOLERANCES: .XX ±.01 .XXX ±.005

ALL DIMENSIONS ARE IN INCHES

SCALE 20X

DATE 8/16/02

REV 1

DRAWN BY D. WEISE

ELPAKCO INC. 2 CARL THOMPSON RD., WESTFORD MA, 01886 (978) 392-0400, FAX: (978) 392-6814

TITLE CONTACT RECEPTACLE FOR $\phi.015$ -.021 PINS

PN OR TERMINAL NO. 4004-X