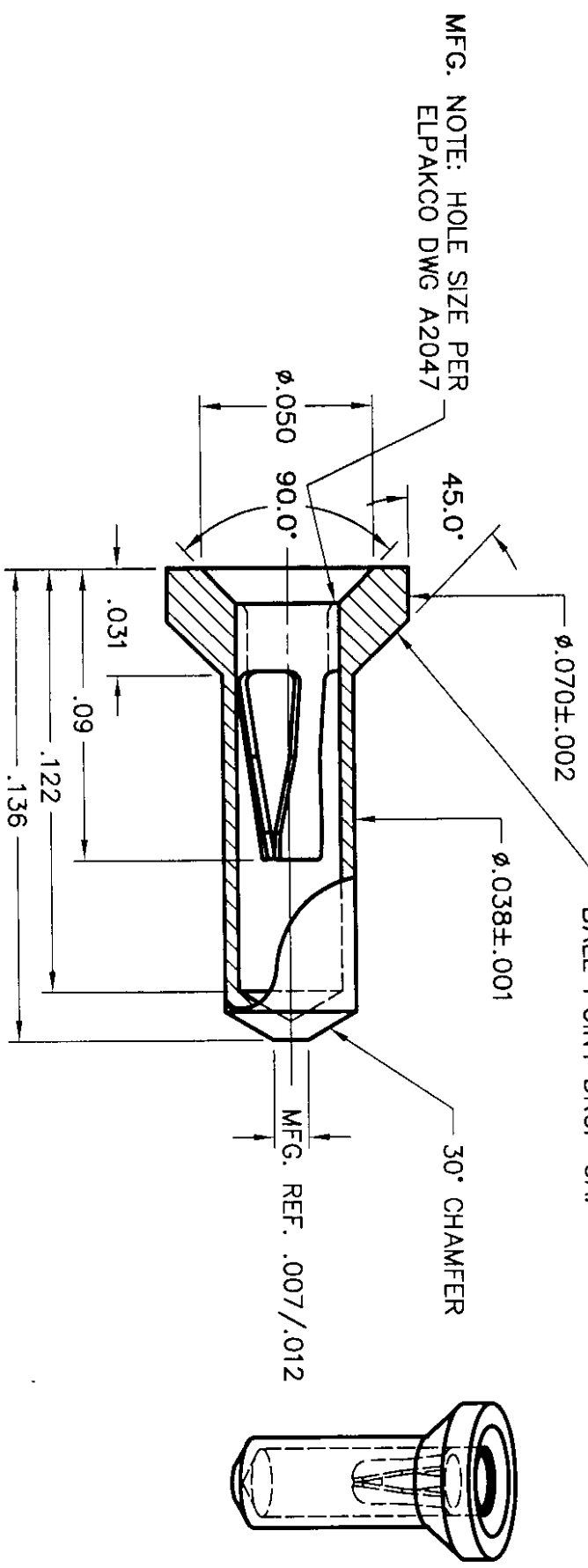


REV.	DESCRIPTION	DATE	INT.
1	ENG. DWG.	1/10/02	D.W.

MFG. NOTE:
 CONTACT ASSEMBLY WILL RELY ON
 MINIMUM DIMENSIONAL VARIATION
 BETWEEN THIS SURFACE AND THE
 COUNTERSINK DEPTH. TEST USING
 BALL POINT DROP GA.



- NOTES:
1. MATERIALS: SHELL - BRASS ALLOY TYPE 360, 1/2 HD., PER QQ-B-626.
 CONTACT - BERYLLIUM COPPER ALLOY TYPE 172, HT, PER QQ-C-533
 2. APPLICABLE PLATING SPECIFICATIONS: GOLD - MIL-G-45204, NICKEL - QQ-N-290, 93/7 BRIGHT TIN LEAD - MIL-T-10727.
 3. AVAILABLE CONTACT - #30, 32, & 61

4. ORDER CODE:
- BASIC PART NO.
- SHELL PLATING
- 01- 200 u" TIN OVER 100 u" NICKEL
 - 02- 10 u" GOLD OVER 100 u" NICKEL
 - 03- 30 u" GOLD OVER 100 u" NICKEL
 - 04- 50 u" GOLD OVER 100 u" NICKEL
- CONTACT PLATING
- 11- 150 u" TIN OVER 50 u" NICKEL
 - 12- 10 u" GOLD OVER 50 u" NICKEL
 - 13- 30 u" GOLD OVER 50 u" NICKEL
 - 14- 50 u" GOLD OVER 50 u" NICKEL

UNLESS NOTED OTHERWISE: ALL DIMENSIONS ARE IN INCHES	TOLERANCES: .XX ±.01 .XXX±.005	DRAWN BY	ELPAKCO INC. 2 CARL THOMPSON RD., WESTFORD MA. 01886 (978) 392-0400, FAX (978) 392-6814
	SCALE 20X	D. WEISE	
DATE 1/10/02		TITLE	PIN OR TERMINAL NO. 4006
REV 1		PIN RECEPTACLE FOR Ø.015 TO .021 PINS	