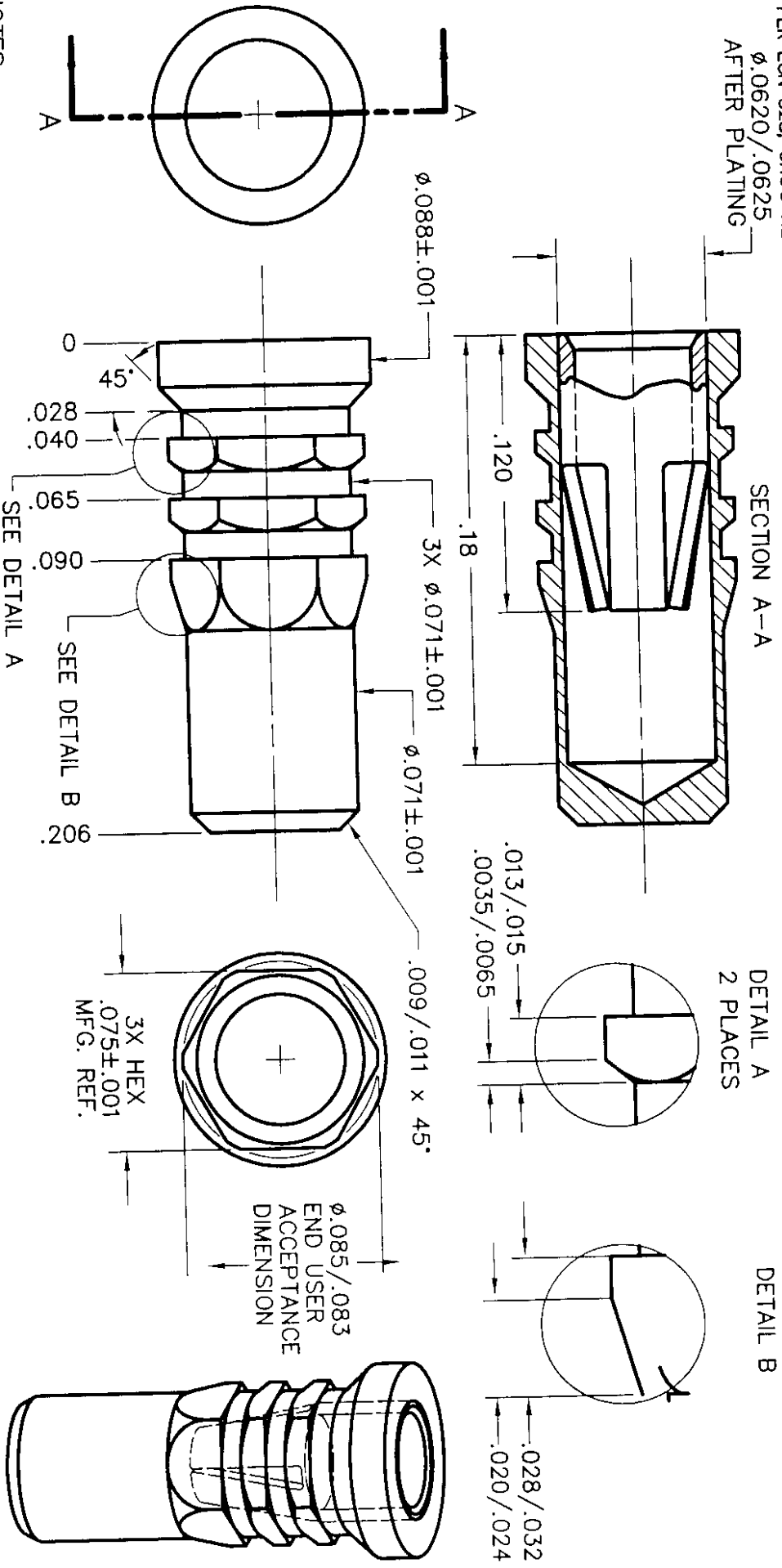


REV.	DESCRIPTION	DATE	INT.
1	ENG. DWG.	12/9/99	D.W. J.G.
2	CHGD. HEX FLAT TO FLAT FROM .072±.001 TO .071±.001 & .090 HEAD TO .088±.001	7/25/00	D.W. J.G.
3	PER ECN 525, FROM: 3X HEX .071±.001 TO: 3X HEX .072±.001 MFG. REF. & ADDED .083 REF. TO: .083±.002 END USER ACCEPTANCE DIM.	8/15/03	D.W. J.G.
4	PER ECN 527, FROM: 3X HEX .071±.001 TO: 3X HEX .075±.001 MFG. REF. & ADDED .083 REF. TO: .083±.002 END USER ACCEPTANCE DIM.	9/03/03	D.W. J.G.
5	END OF SHELL CHAMFER CHGD FROM .006/.010 TO .009/.011 PER ECN 528, CHGD HEX DIA. FROM .083±.002 TO .085/.083		



- NOTES:
1. MATERIALS: SHELL - BRASS ALLOY TYPE 360, 1/2 HD., PER QQ-B-626.
CONTACT - BERYLLIUM COPPER ALLOY TYPE 172, HT, PER QQ-C-533
 2. APPLICABLE PLATING SPECIFICATIONS: GOLD - MIL-G-45204, NICKEL - QQ-N-290, 93/7 BRIGHT TIN LEAD - MIL-T-10727.
 3. FOR USE WITH ELPAKCO CONTACT - #42

4. ORDER CODE:

BASIC PART NO. _____ CONTACT PLATING _____

SHELL PLATING _____

01 - 200 u" TIN OVER 100 u" NICKEL

12 - 10 u" GOLD OVER 50 u" NICKEL

13 - 30 u" GOLD OVER 50 u" NICKEL

UNLESS NOTED OTHERWISE:	TOLERANCES:	DRAWN BY	ELPAKCO INC.	2 CARL THOMPSON RD., WESTFORD MA, 01886 (508) 392-0400, FAX: (508) 392-6814
	.XX ±.01 .XXX±.003	D. WEISE		
ALL DIMENSIONS ARE IN INCHES	SCALE 15X	DATE 12/9/99	PIN OR TERMINAL NO. 4071	REV 5