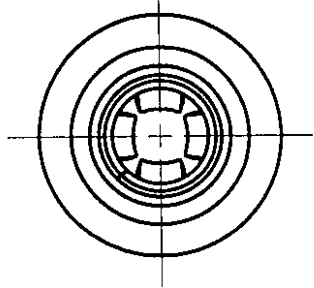
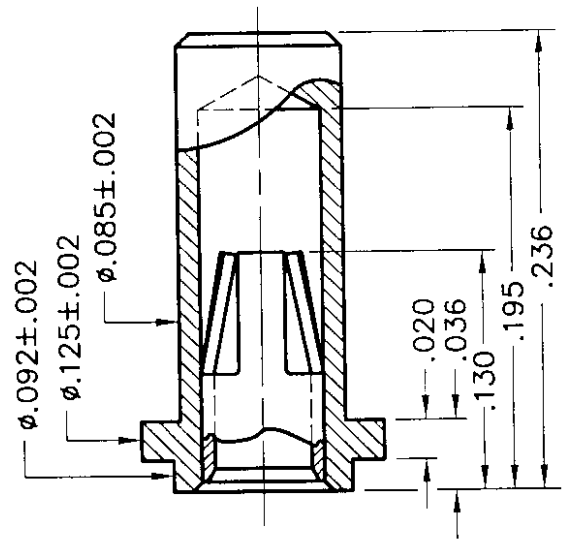
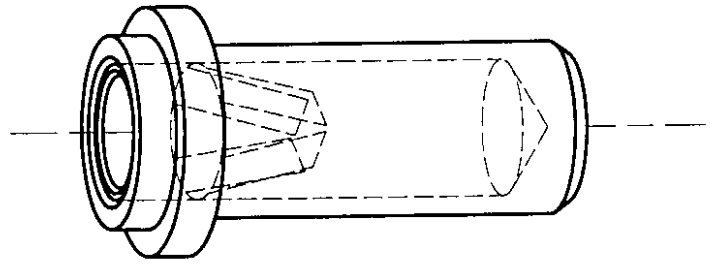


| | | | |
|------|-------------|--------|------|
| REV. | DESCRIPTION | DATE | INT. |
| 1 | ENG. DWG. | 4/2/99 | D.W. |



NOTES:

- MATERIALS: SHELL - BRASS ALLOY TYPE 360, 1/2 HD.,
PER QQ-B-626.
CONTACT - BERYLLIUM COPPER ALLOY TYPE 172, HT,
PER QQ-C-533
- APPLICABLE PLATING SPECIFICATIONS: GOLD - MIL-G-45204,
NICKEL - QQ-N-290, 93/7 BRIGHT TIN LEAD - MIL-T-10727.
- AVAILABLE CONTACT - #42

4. ORDER CODE: 4077-X

BASIC PART NO. _____

SHELL PLATING

| | | |
|-----------------------------------|----------------------------------|----------------------------------|
| 01- 200 u" TIN OVER 100 u" NICKEL | CONTACT PLATING | 11- 150 u" TIN OVER 50 u" NICKEL |
| 02- 10 u" GOLD OVER 100 u" NICKEL | 12- 10 u" GOLD OVER 50 u" NICKEL | 13- 30 u" GOLD OVER 50 u" NICKEL |
| 03- 30 u" GOLD OVER 100 u" NICKEL | 14- 50 u" GOLD OVER 50 u" NICKEL | |
| 04- 50 u" GOLD OVER 100 u" NICKEL | | |

CONTACT

-XX

-XX

-XX

| | | | |
|------------------------------|--------------------|-------------|--|
| UNLESS NOTED OTHERWISE: | TOLERANCES: | DRAWN BY | ELPAKCO INC. 2 CARL THOMPSON RD., WESTFORD MA. 01886 |
| ALL DIMENSIONS ARE IN INCHES | .XX ±.01 .XXX±.005 | D. WEISE | (508) 392-0400, FAX. (508) 392-8814 |
| SCALE 10X | | DATE 4/2/99 | TITLE PIN RECEPTACLE TYPE 4077 FOR Ø.032 --.047 PINS |
| | | | PIN OR TERMINAL NO. 4077 |
| | | | REV 1 |